

400-6060-249

服务热线  
SERVICE HOTLINE

WECO®

WECCO OPTO-  
ELECTRONICS

微科光电

细致入微 科技创新  
Technical advancement through industry innovation

给电梯一个安全的承诺  
Give the elevator a promise of safety



WECO | 宁波微科光电股份有限公司  
NINGBO WECCO OPTOELECTRONICS CO.,LTD.

地址：宁波市北仑区大碶高端模具园区湖林路88号  
Add: No.88 Hulin Road, Daqi Mould Industry Zone, Beilun, Ningbo, China  
Tel: 0086-574-8680 0333 Fax: 0086-574-8680 0328  
Http://www.weco.cc P.C.: 315806



了解更多资讯  
请关注WECCO官方网站

宁波微科光电股份有限公司  
NINGBO WECCO OPTOELECTRONICS CO.,LTD.



# FORESIGHT

AND VISION  
高瞻远瞩 再展宏图

## 企业历程 COMPANY HISTORY

微科凭借超凡卓越的技术品质、赢得了各界的信赖、铸就了一页页辉弘的篇章。

By virtue of its superior technics and quality, WECO has won the trust of all sectors of society and has created brilliant chapters.

### 2000年

成立宁波北仑电梯科技有限公司（微科前身）  
Established Ningbo Beilun Elevator Technology Co., Ltd. (the predecessor of WECO)

### 2004年

成立 宁波微科光电有限公司  
研发生产微科917系列光幕  
Established Ningbo WECO Optoelectronics Co., Ltd.  
R&D and produced WECO 917 series light curtains

### 2005年

通过CE认证  
Passed CE certification

### 2007年

通过北美CSA认证  
Certified by North American CSA

### 2008年

获评高新技术企业  
Appraised as a high-tech enterprise

### 2010年

强抗光红外线扫描电梯光幕917L项目列入“国家火炬计划项目”  
The strong light immunity infrared scanning elevator light curtain 917L project was included in the "National Torch Program Project"

### 2011年

成立省级企业工程技术中心  
Established a provincial level enterprise engineering technology center

### 2012年

电梯门视频智能分析控制系统列入“国家火炬计划产业化示范项目”  
The elevator door video intelligent analysis control system was included in the "National Torch Program Industrialization Demonstration Project"

### 2013年

微科®红外线扫描感应器 认定为“浙江省名牌产品”  
WECO® Infrared scanning sensor was awarded as "Zhejiang Famous Brand Product"

### 2014年

获评“宁波市专利示范企业”  
Awarded "Ningbo Patent Demonstration Enterprise"

### 2015年

获评“宁波竞争力百强企业”  
Awarded "Ningbo Top 100 Competitive Enterprises"

### 2017年

完成股份制改革  
Completed shareholding system reform

### 2018年

电梯光幕产品年销量突破100万套  
The annual sales volume of elevator light curtains exceeded 1 million sets

### 2019年

获评浙江省AAA级“守合同重信用”企业  
Awarded as an AAA-level "contract-honoring and credit-worthy" enterprise in Zhejiang Province

### 2020年

获评国家“专精特新小巨人”企业  
Awarded as a national "Specialized and Innovative Little Giant" enterprise

### 2021年

获评国家级制造业单项冠军；  
浙江省级企业研究院；  
通过浙江制造“品字标”认证；  
研发项目列入2021年浙江省重点高新技术产品开发项目计划；  
电梯光幕产品年销量突破140万套  
Won the National Manufacturing Single Item Champion;  
Zhejiang Provincial Enterprise Research Institute;  
Passed "Pinzibiao" certification made in Zhejiang;  
The research and development project is included in Zhejiang Province high-tech product development key project plan in 2021;  
The annual sales volume of elevator light curtains exceeded 1.4 million sets

### 2022年

获评“宁波市绿色工厂”  
Awarded "Ningbo Green Factory"

### 2023年

精彩继续.....  
The excitement continues...

# INTELLIGENT HIGH TECH

SHINING  
FORWARD  
智能高科 耀世前行

National Torch Program Project Undertaker  
Provincial AAA contract-abiding and credit-worthy unit  
Manufacturing Single Item Champion  
Provincial Enterprise Research Institute

国家火炬计划项目承接单位  
省级AAA守合同重信用单位  
制造业单项冠军  
省级企业研究院

## 企业简介 COMPANY PROFILE

宁波微科光电股份有限公司，是国家高新技术企业，专业从事光电传感产品的研发制造及销售，是全球最大的电梯光幕制造企业之一。

公司位于中国宁波，注册资本11960万元人民币，建筑面积6万平方米，具备年产200万套光幕的生产能力。

微科光幕（WECO）凭借优越的产品质量、极高的性价比以及优质的服务，配套国际国内各大电梯公司，并在北美，欧洲，南美，东南亚及中东各地设立国际营销网络。2021年公司被国家工信部认定为制造业单项冠军。2022年微科光幕（WECO）国内外销量突破140万套。

Ningbo WECO Optoelectronics Co., Ltd., is a high-tech enterprise, which specializes in designing, developing, manufacturing and selling elevator door detectors. It is one of the largest elevator door detector manufacturers in the world.

WECO is located in Ningbo, China. With the registered capital of RMB 119.6 million, the factory covers over 60,000 square meters, and has the capacity of 2million sets of door detectors production annually.

Offering superior product quality, market-leading performance and excellent after-sales service, WECO has established international marketing networks in Europe, the Middle East, Southeast Asia, and both North & South America. In 2021, WECO was honored by MIIT(China) as National Manufacturing Single Item Champion. In 2022, WECO sold over 1.4 million sets of door detectors globally.





# 红外线电梯光幕

## INFRARED ELEVATOR DOOR DETECTOR

### 型号定义 MODEL DEFINITION



例: WECO-917 A 6 1 - AC220

#### 电源及输出接口配置:

- AC220: 185V ~ 290VAC, 50/60Hz控制盒, 1NO/1NC继电器输出
- AC110: 110VAC±20%, 50/60Hz控制盒, 1NO/1NC继电器输出
- DC24A: 15 ~ 30VDC控制盒、1NO/1NC继电器输出
- DC24B: 15 ~ 30VDC无控制盒、NPN晶体管输出, 遮挡输出高电平
- DC24C: 15 ~ 30VDC无控制盒、NPN晶体管输出, 遮挡输出低电平
- DC24D: 15 ~ 30VDC无控制盒、PNP晶体管输出, 遮挡输出低电平
- DC24E: 15 ~ 30VDC无控制盒、PNP晶体管输出, 遮挡输出高电平
- DC24F: 15 ~ 30VDC无控制盒、1NC继电器输出
- DC24G: 15 ~ 30VDC无控制盒、1NO继电器输出
- DC24R: 15 ~ 30VDC无控制盒、1NC/1NO 继电器输出
- DC24S: 15 ~ 30VDC无控制盒、智能光幕

#### 连接电缆:

- 1: 3.5m 2 根, 适用于标准中分门电梯
- 2: 3.5m 2 根, 适用于旁开门电梯
- 3: 2.5m、4.5m 各 1 根, 适用于新型旁开门电梯
- 4: 5m 2 根, 适用于中分双折门电梯

#### 红外发射 / 接收管数量:

- 6: 17 对
- 4: 20 对
- 7: 32 对
- 5: 36 对
- 8: 40 对
- 9: 48 对

#### 型材外型:

- A
- B
- C
- :
- Z

WECO-917 系列: WECO-917  
WECO-957 系列: WECO-957  
WECO-987 系列: WECO-987

\*36 对以上产品符合 EN81-20 标准 (二合一光幕除外)。  
\*20 对产品须固定安装才能满足 EN81-20 标准。  
\*987 系列带故障输出功能。

技术参数	917		957				987						
基本参数													
红外管数量	17对	32对	17对	20对	32对	36对	40对	48对	20对	36对	40对	48对	
响应时间	继电器输出	65ms	65ms	65ms	65ms	65ms	69ms	73ms	81ms	65ms	69ms	73ms	81ms
	晶体管输出	60ms	60ms	60ms	60ms	60ms	64ms	68ms	76ms	60ms	64ms	68ms	76ms
扫描光束	94~33束	154~94束	94~33束	94~58束	154~94束	174~106束	194~118束	234~142束	94~58束	174~106束	194~118束	234~142束	
红外管间距	118mm	59mm	118mm	84mm	59mm	48mm	48mm	40mm	84mm	48mm	48mm	40mm	
最低光束	≤20mm												
最高光束	≥1800mm		≥1600mm	≥1800mm	≥1600mm	≥1800mm	≥1900mm	≥1600mm		≥1800mm	≥1900mm		
符合标准	EN81-70		EN81-20 (固定安装)	EN81-70	EN81-20	EN81-20 EN81-70		EN81-20 (固定安装)	EN81-20	EN81-20 EN81-70			
冗余功能 (允许一个发射管在故障后120s被屏蔽)	○	●	○	●	○								
位置允差	上下方向: ±15mm/7°, 前后方向±3mm/5°												
工作距离	0~4000mm												
使用环境温度	-20°C ~ +65°C												
可靠性													
抗光干扰能力	100000Lux	能在任何阳光自然照度环境下正常工作											
外观防护等级	详见产品目录												
振动测试	X-Y-Z三轴各2小时, 振幅0.35mm, 频率10 ~ 55Hz												
环境实验(高低温)	GB/T2423.1-GB/T2423.4												
电磁兼容性													
EN12015 EN12016	一般电路等级		安全电路等级										
功能													
指示功能		接收器黄色 受电指示灯				接收器红色 状态指示灯							
故障输出功能 (配带故障输出 功能控制盒)	○								●				

○: NO ●: YES  
参数如有变更, 恕不另行通知。

# 红外线电梯光幕 INFRARED ELEVATOR DOOR DETECTOR

## 型号定义 MODEL DEFINITION



例: WECO-917 A 6 1 - AC220

### Power and system output options:

- AC220: 185V~290VAC, 50/60Hz power box, 1NO/1NC relay output
- AC110: AC110V±20%, 50/60Hz power box, 1NO/1NC relay output
- DC24A: 15~30VDC power box, 1NO/1NC relay output
- DC24B: 15~30VDC direct input, NPN-high voltage output when being interrupted
- DC24C: 15~30VDC direct input, NPN-low voltage output when being interrupted
- DC24D: 15~30VDC direct input, PNP-low voltage output when being interrupted
- DC24E: 15~30VDC direct input, PNP-high voltage output when being interrupted
- DC24F: 15~30VDC direct input, relay output 1NC
- DC24G: 15~30VDC direct input, relay output 1NO
- DC24R: 15~30VDC direct input, relay output 1NO&1NC
- DC24S: 15~30VDC direct input, intelligent light curtain

### Connecting cable:

- 1: 2x3.5m, for standard central-opening lift doors
- 2: 2x3.5m, for side-opening lift doors
- 3: 1x2.5m, 1x4.5m, for new side-opening lift doors
- 4: 2x5m, for four panels central-opening lift doors

### Diodes numbers:

- 6: 17 diode sets
- 4: 20 diode sets
- 7: 32 diode sets
- 5: 36 diode sets
- 8: 40 diode sets
- 9: 48 diode sets

### Profiles:

- A
- B
- C
- ⋮
- Z

WECO-917 series: WECO-917  
WECO-957 series: WECO-957  
WECO-987 series: WECO-987

\*Those models with no less than 36 sets of diodes comply with EN81-20 (2 in 1 excluded).  
\*20 diodes door detector only with static mounting can meet EN81-20 standard.  
\*987 series have malfunction output function.

Technical parameters	917		957				987						
Technical features													
Number of Infra red diodes	17	32	17	20	32	36	40	48	20	36	40	48	
Response Time	Relay output	65ms	65ms	65ms	65ms	65ms	69ms	73ms	81ms	65ms	69ms	73ms	81ms
	Transistor output	60ms	60ms	60ms	60ms	60ms	64ms	68ms	76ms	60ms	64ms	68ms	76ms
Scanning beams	94~33	154~94	94~33	94~58	154~94	174~106	194~118	234~142	94~58	174~106	194~118	234~142	
Infrared diodes distance	118mm	59mm	118mm	84mm	59mm	48mm	48mm	40mm	84mm	48mm	48mm	40mm	
The lowest diode set	≤20mm												
The highest diode set	≥1800mm		≥1600mm		≥1800mm	≥1600mm	≥1800mm	≥1900mm	≥1600mm		≥1800mm	≥1900mm	
Norm	EN81-70		EN81-20 (static mounting)	EN81-70	EN81-20	EN81-20 EN81-70		EN81-20 (static mounting)	EN81-20	EN81-20 EN81-70			
Redundancy (1×diode set is redundant after 120s being absent)	○	●	○	●	○								
Tolerance	Vertical: ±15mm/7°, Horizontal: ±3mm/5°												
Detecting range	0~4000mm												
Operating temperature	-20°C ~ +65°C												
Reliability													
Light immunity	100000Lux		Sunlight proof										
Protection rating	See user manual												
Vibration	X-Y-Z three-axis each 2hrs, amplitude 0.35mm, frequency 10~55Hz												
Environment test (high&low temperature)	GB/T2423.1-GB/T2423.4												
EMC													
EN12015 EN12016	General circuit level				Safety circuit level								
Function													
LED indicators (in receiver)			Yellow LED power indicator				Red LED status indicator						
Malfunction output (with malfunction output function power box)			○				●						

○: NO ●: YES  
The parameters are subject to change without notice.

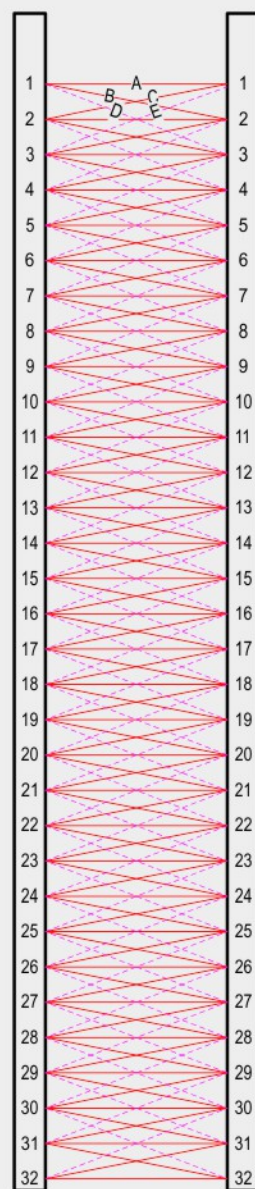


红外线电梯光幕  
INFRARED ELEVATOR DOOR DETECTOR

光路设计 BEAM PATTERN

154束光路图

154 Beams drawing



光管对数: 32对  
光束:  
A. 32  
B. 31  
C. 31  
D. 30  
E. 30

Number of infrared diodes:  
32 diode sets

Beam :  
A. 32  
B. 31  
C. 31  
D. 30  
E. 30

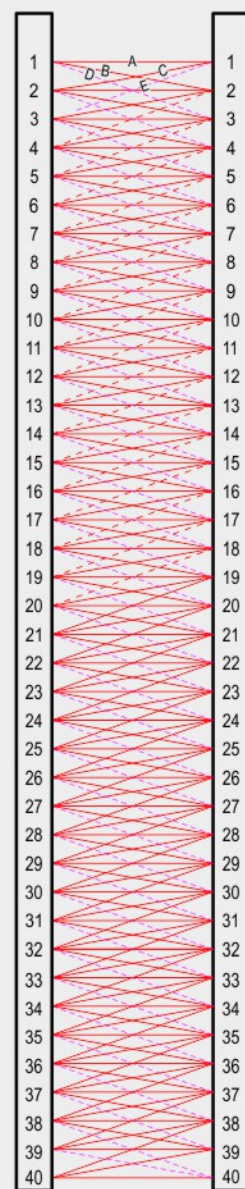
光管对数: 40对  
光束:  
A. 40  
B. 39  
C. 39  
D. 38  
E. 38

Number of infrared diodes:  
40 diode sets

Beam :  
A. 40  
B. 39  
C. 39  
D. 38  
E. 38

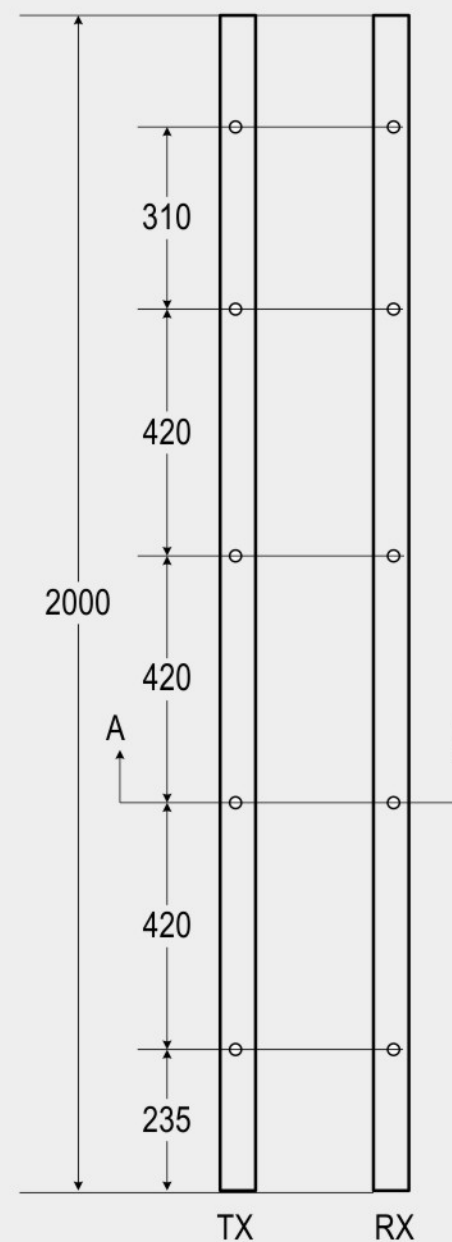
194束光路图

194 Beams drawing



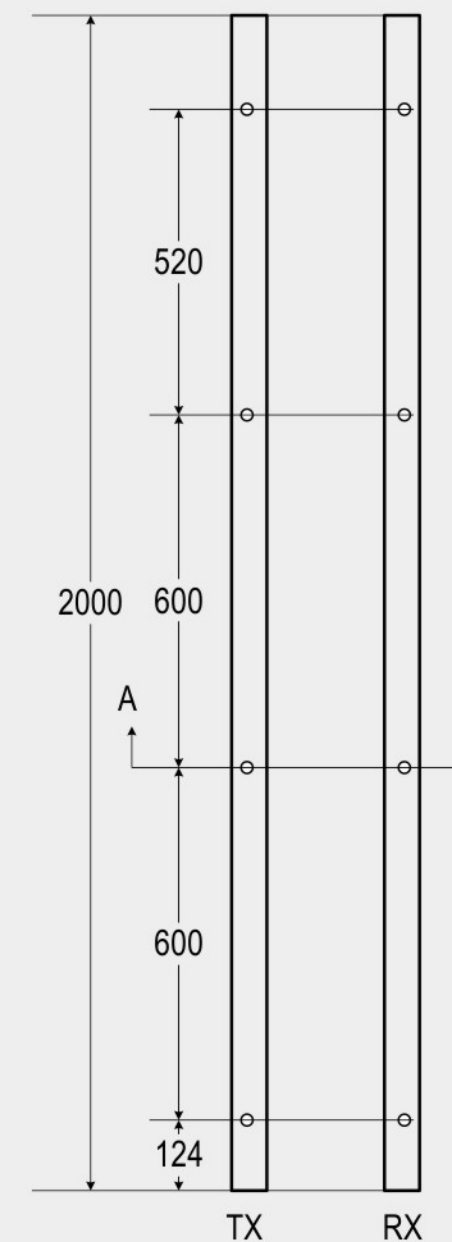
17、20、32、36、40对  
(光管) 光幕安装孔位

17, 20, 32, 36, 40  
diodes door detector  
installation holes



48对 (光管)  
光幕安装孔位

48 diodes  
door detector  
installation holes



# 红外线 电梯光幕

INFRARED ELEVATOR DOOR DETECTOR

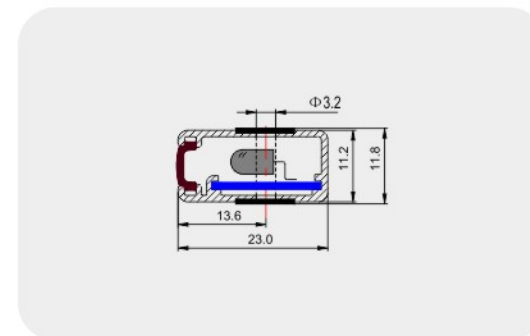


精确感应, 精致设计, 精工制造

Precise sensing,  
sophisticated design, innovative manufacturing

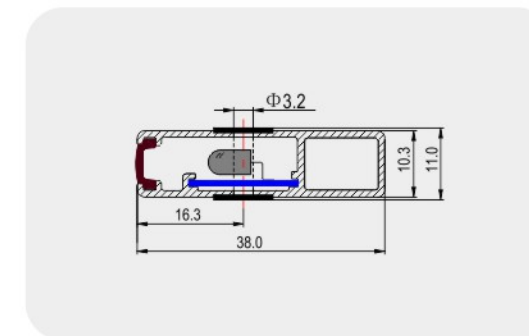
A 型截面图 IP54

A Section



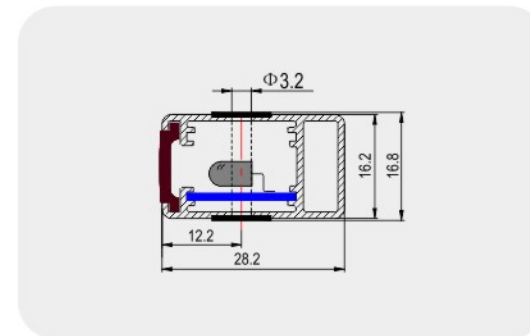
B 型截面图 IP54

B Section



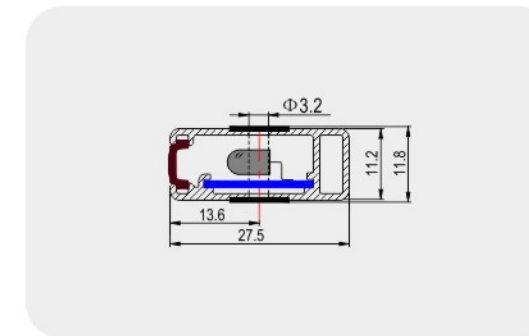
C 型截面图 IP54

C Section



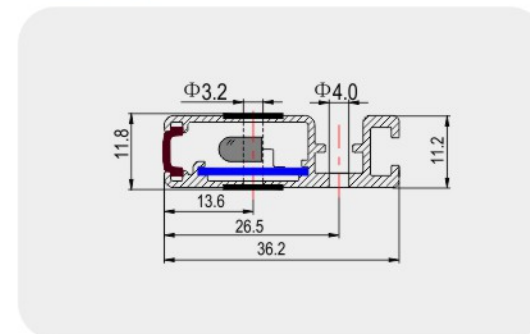
L 型截面图 IP54

L Section



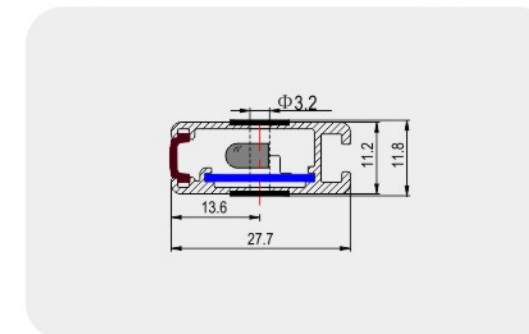
N 型截面图 IP54

N Section



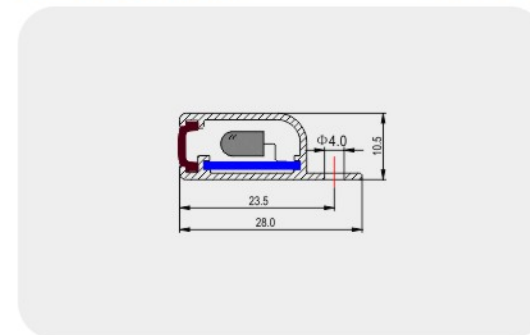
Q 型截面图 IP54

Q Section



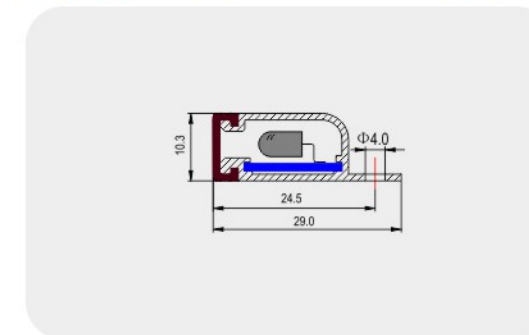
K 型截面图 IP54

K Section

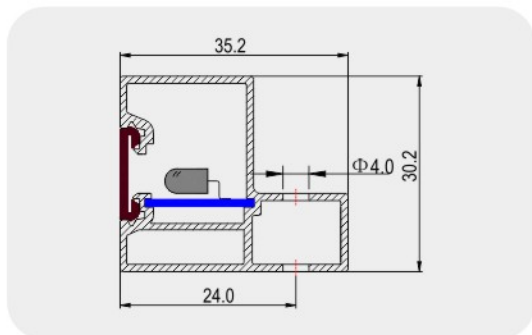


M 型截面图 IP65

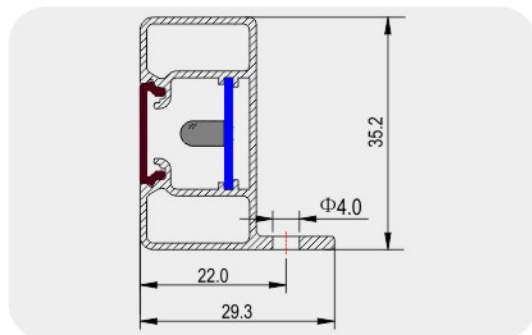
M Section



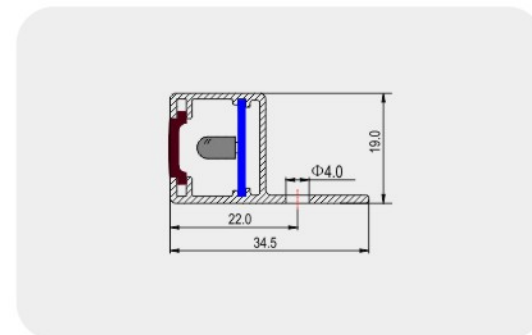
Z 型截面图 IP65 Z Section



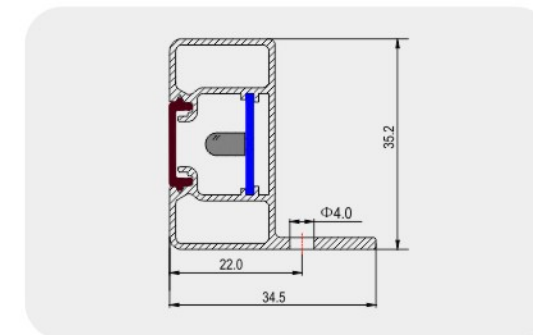
Y 型截面图 IP54/65 Y Section



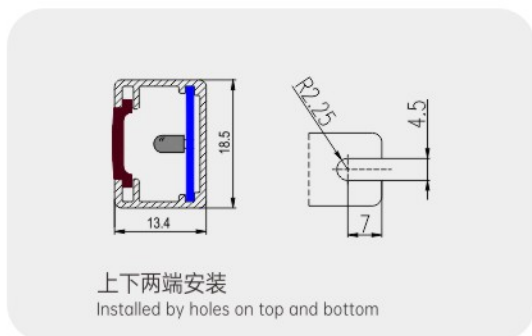
R 型截面图 IP54 R Section



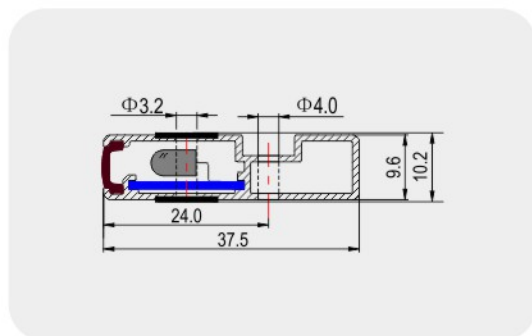
U 型截面图 IP54/65 U Section



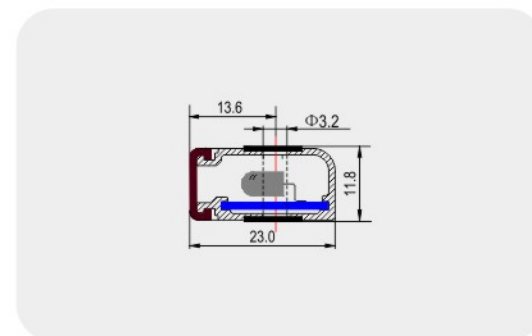
H 型截面图 IP54 H Section



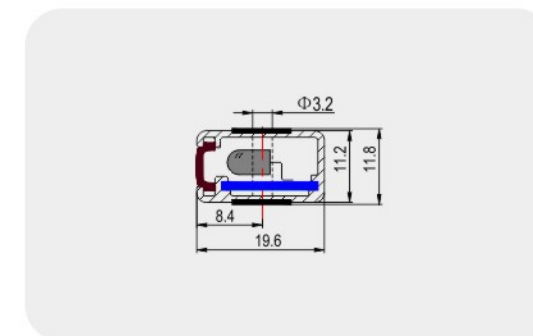
V 型截面图 IP54 V Section



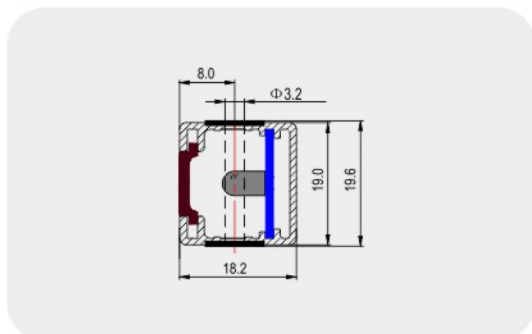
MA 型截面图 IP64 MA Section



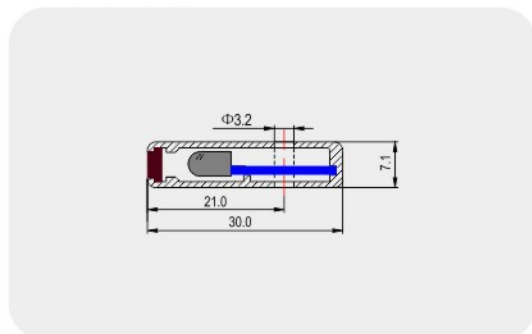
MS 型截面图 IP54 MS Section



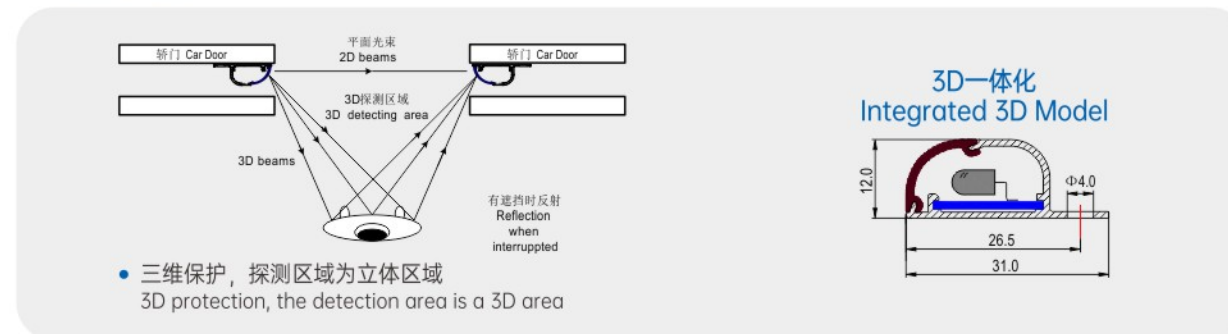
T 型截面图 IP54 T Section



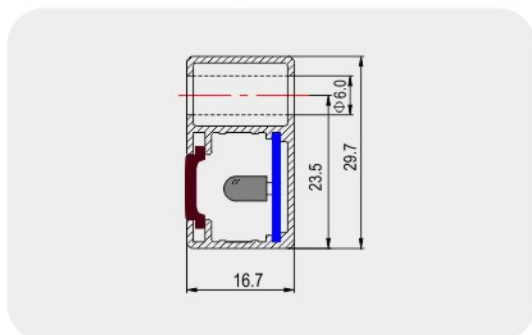
SIX 型截面图 IP54 SIX Section



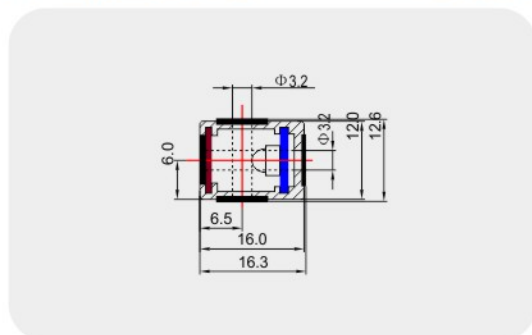
MD 型截面图 IP54 MD Section



P 型截面图 IP54/67 P Section



MP 型截面图 IP54 MP Section



MDR 型截面图 IP54 MDR Section



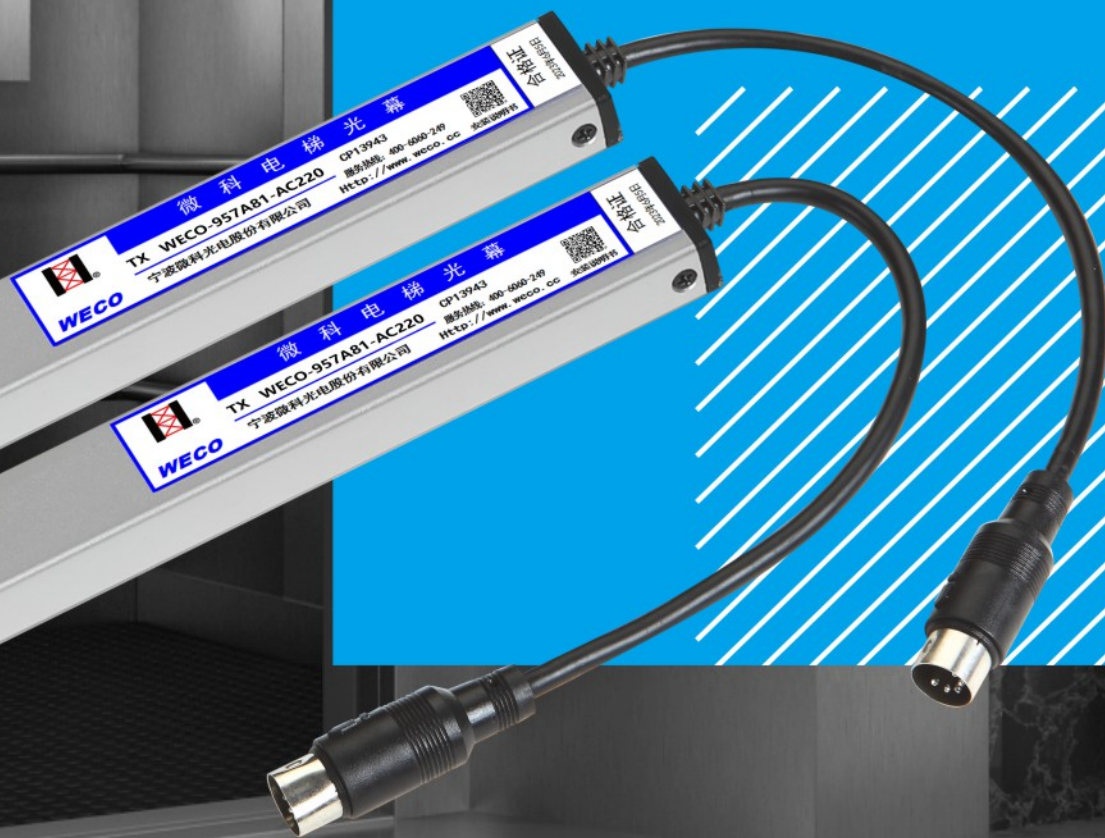


精确感应, 精致设计, 精工制造

Precise sensing,  
sophisticated design, innovative manufacturing

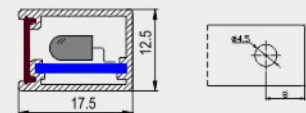
# 红外线 电梯光幕

INFRARED ELEVATOR DOOR DETECTOR



S 型截面图 IP54

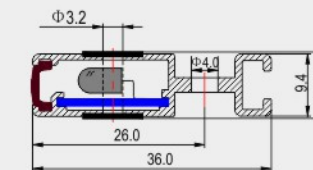
S Section



上下端盖孔安装  
Installed by end cap holes on top and bottom

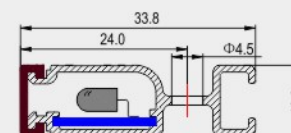
UP 型截面图 IP54

UP Section



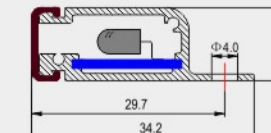
MU 型截面图 IP65

MU Section



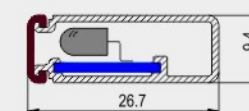
X 型截面图 IP65

X Section



ML 型截面图 IP65

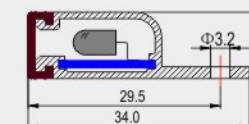
ML Section



需要支架安装  
Installed with additional brackets

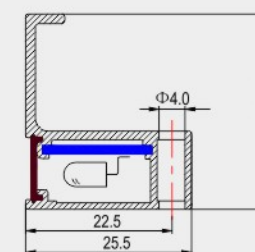
MB 型截面图 IP65

MB Section



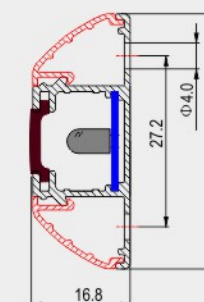
MV 型截面图 IP65

MV Section



J 型截面图 IP54

J Section



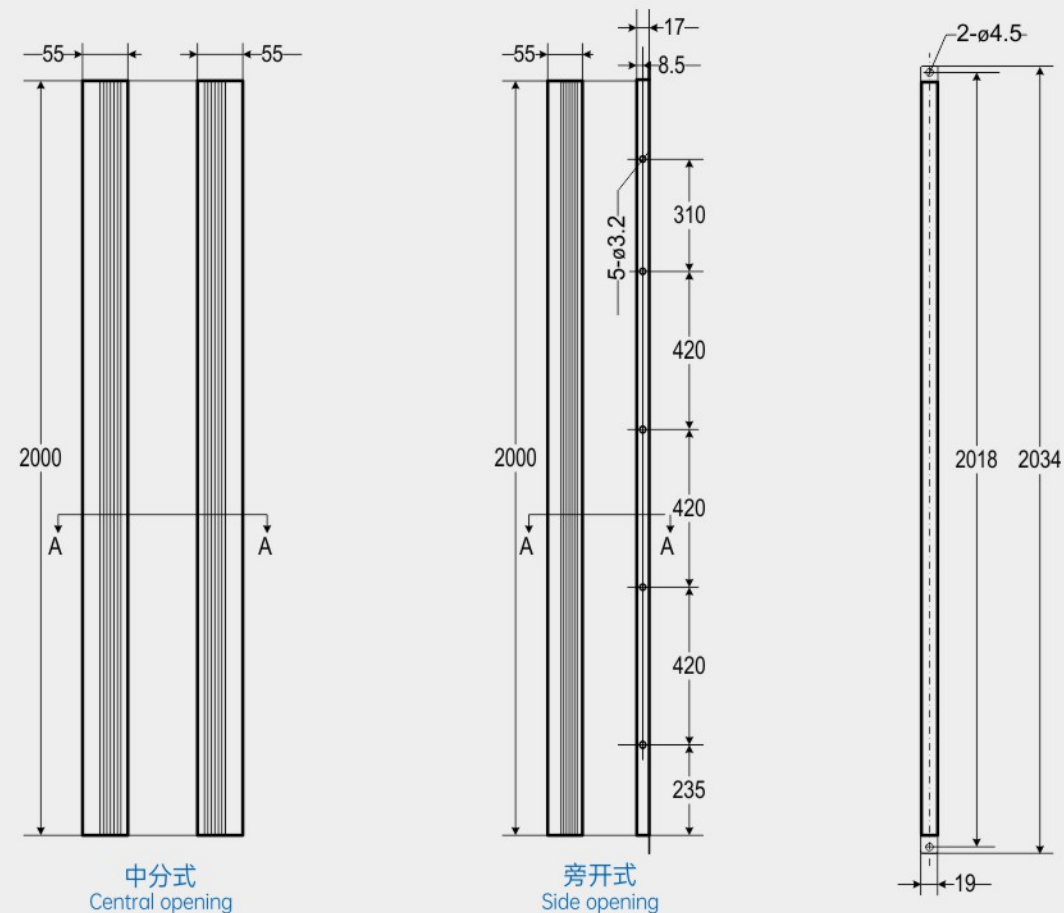
### 红外线电梯光幕

INFRARED ELEVATOR DOOR DETECTOR

安全触板二合一光幕 2 IN 1 DOOR DETECTOR

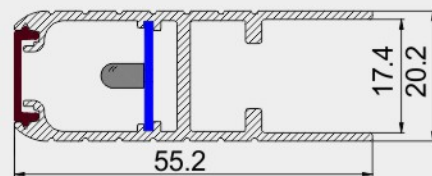
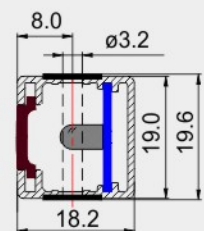
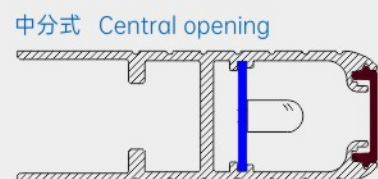
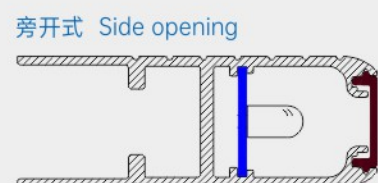
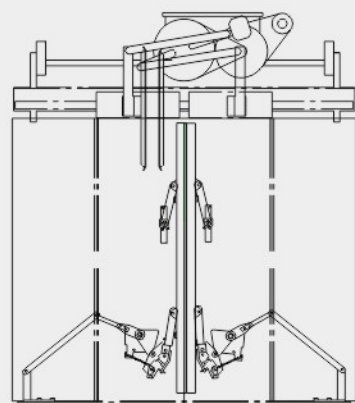
E型截面图 IP54

E Section



中分式  
Central opening

旁开式  
Side opening



使用配套的联动机构 (需订购, 见附页) 安装光幕  
Please purchase matched mechanical brackets for installation

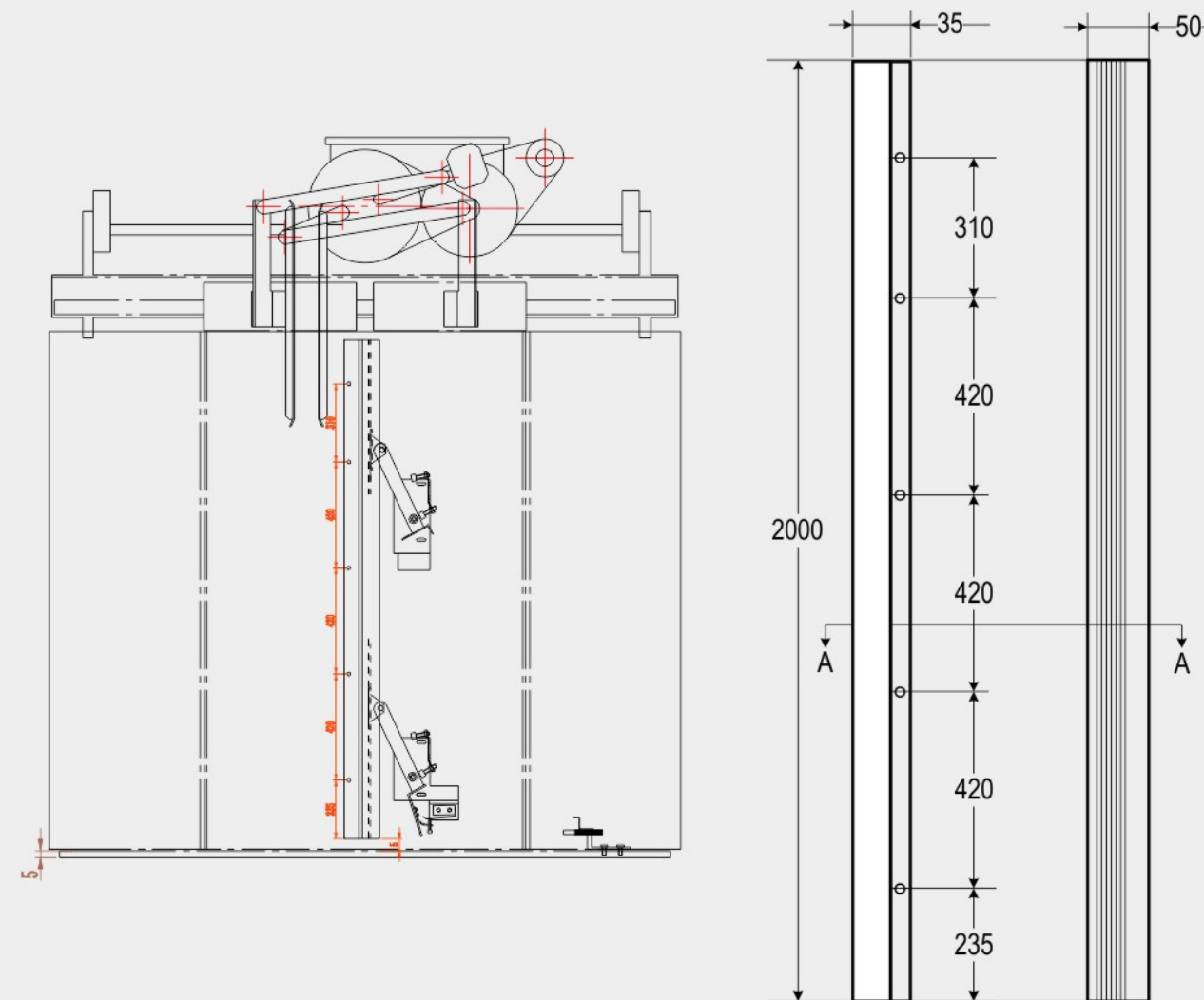
### 红外线电梯光幕

INFRARED ELEVATOR DOOR DETECTOR

简易型安全触板二合一光幕 SMART 2 IN 1 DOOR DETECTOR

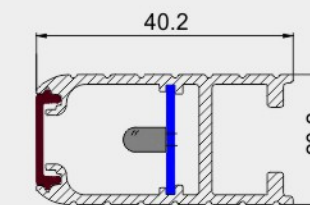
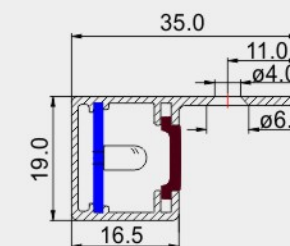
ME型截面图 IP54

ME Section



特点:  
结构简单、安装方便  
设计优化、成本下降

Features:  
Simple structure, easy for installation.  
Optimized design, less cost.





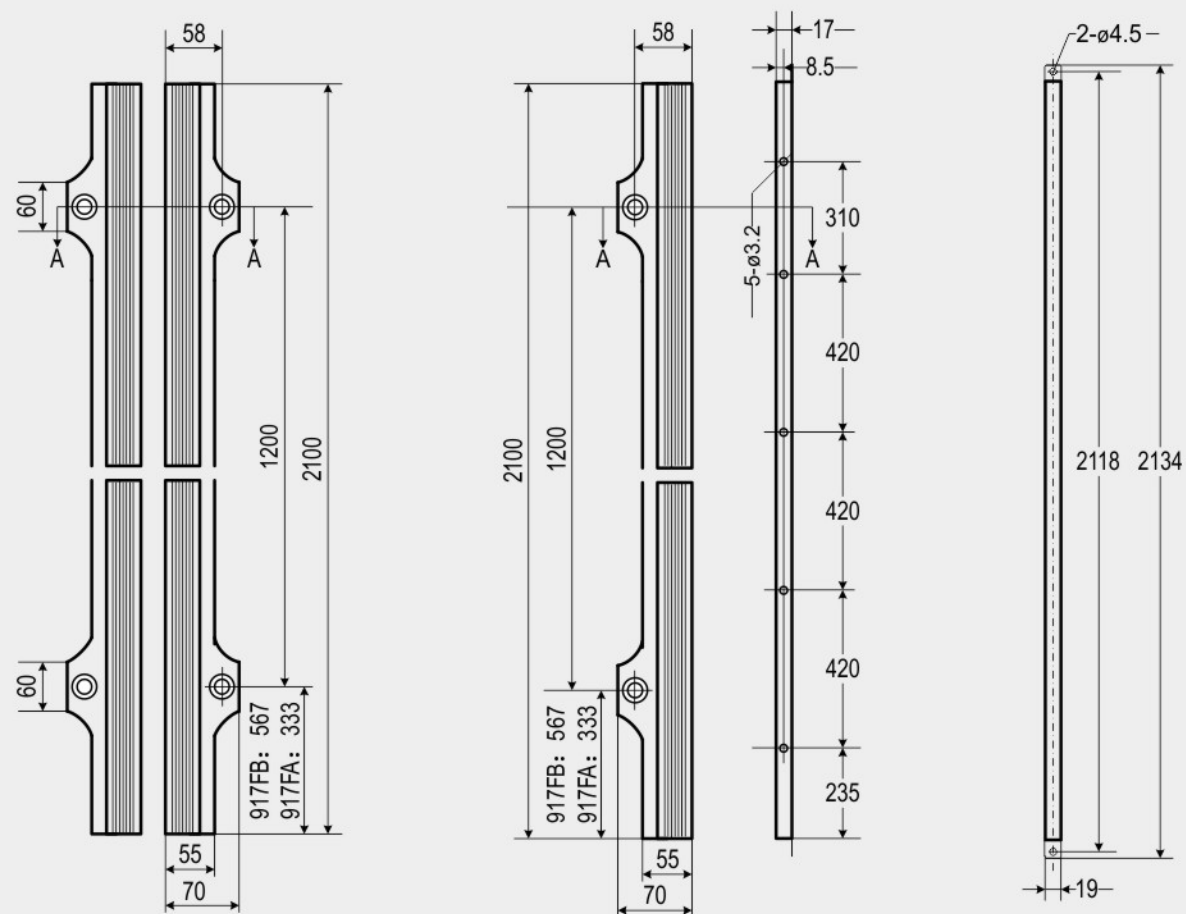
红外线电梯光幕

INFRARED ELEVATOR DOOR DETECTOR

安全触板二合一光幕 2 IN 1 DOOR DETECTOR

F 型截面图 IP54

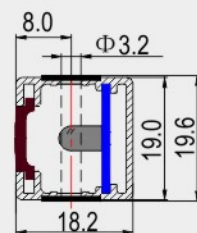
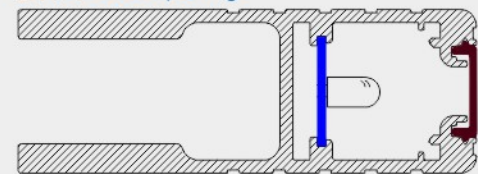
F Section



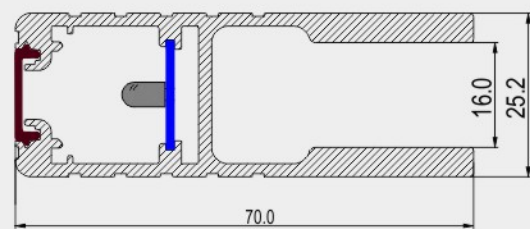
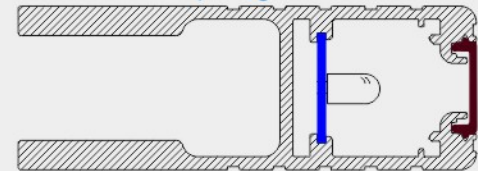
中分式  
Central opening

旁开式  
Side opening

旁开式 Side opening



中分式 Central opening



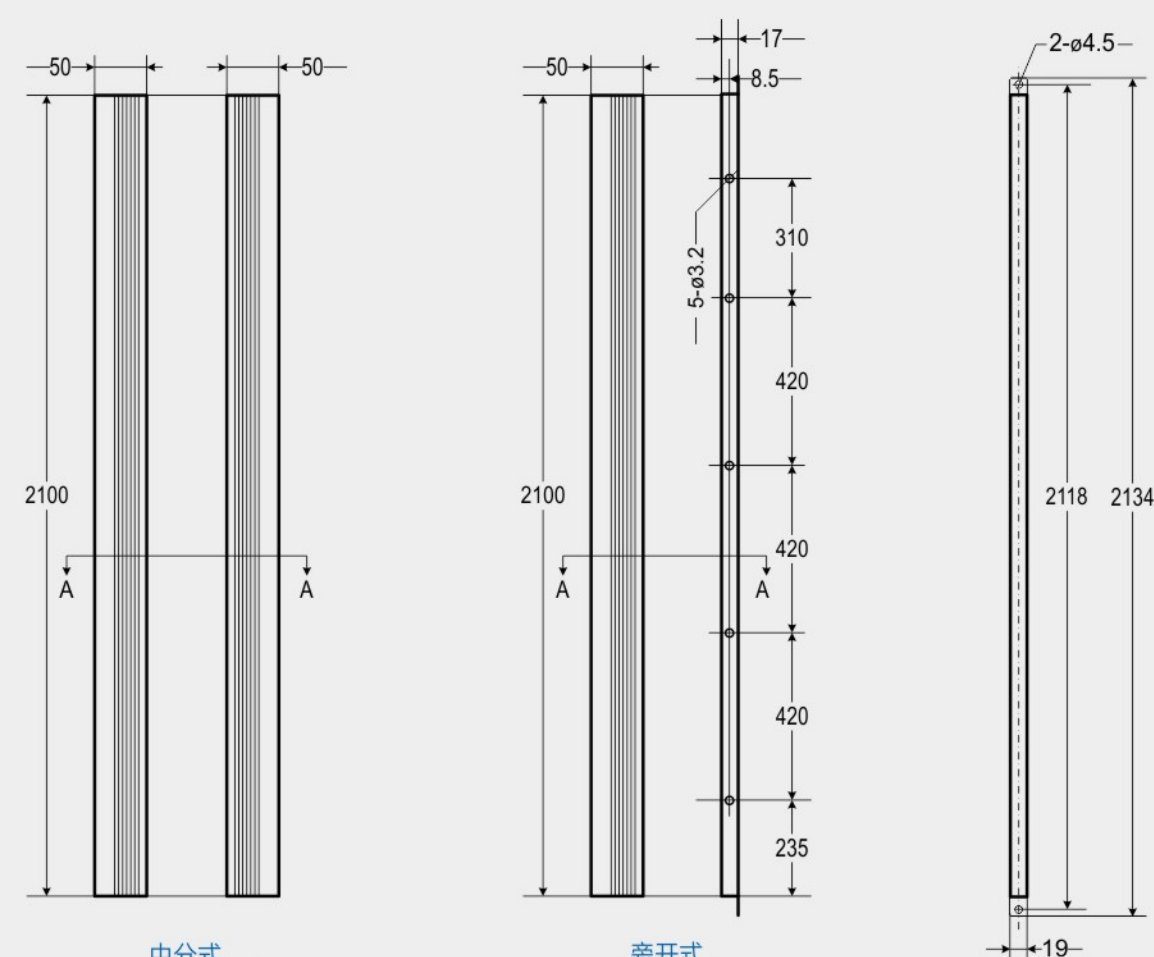
红外线电梯光幕

INFRARED ELEVATOR DOOR DETECTOR

简易型安全触板二合一光幕 SMART 2 IN 1 DOOR DETECTOR

G 型截面图 IP54

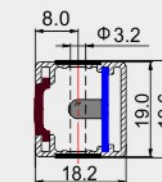
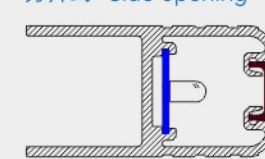
G Section



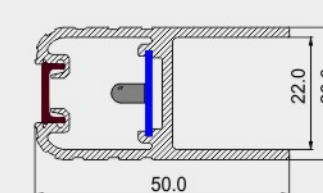
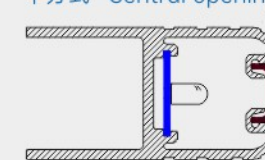
中分式  
Central opening

旁开式  
Side opening

旁开式 Side opening

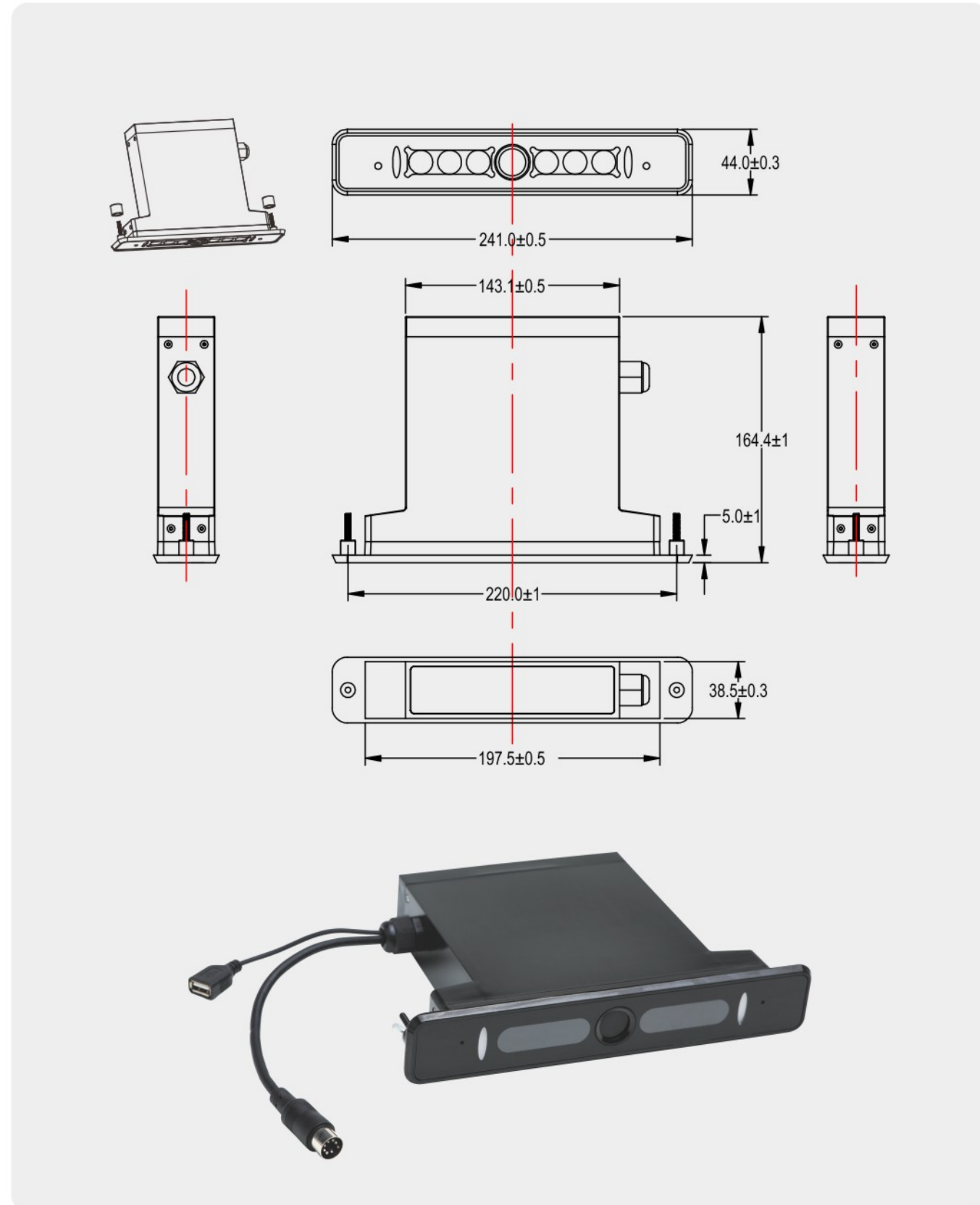


中分式 Central opening



镭射视觉光幕  
LASER VISION DOOR DETECTOR

WECO-LAIC



技术参数及功能 Technical features and functions	
保护范围 Protection range	见轿厢高度及开门宽度要求 According to requirements for car height and door opening width
工作环境 Working environment	-20℃-65℃, 100,000LUX
响应时间 Response time	100ms
功耗 Power consumption	小于20w less than 20w
信号输出 Signal output	继电器1NO+1NC 1A 230VAC Relay 1NO+1NC 1A 230VAC
工作电压 Operating voltage	100~240VAC 50/60Hz
面板LED LED indicators on panel	黄灯: 检测到人或物 Yellow LED: Person or object detected 绿灯: 未检测到人或物 Green LED: No person or object detected
防护等级 Protection rating	IP65
2D检测精度 2D detecting accuracy	静止物体, 直径不小于50mm; 移动物体, 直径不小于10mm. For stationary objects, the diameter should be no less than 50mm. For moving objects, the diameter should be no less than 10mm.
3D检测 3D detecting	距离厅门0.5米内人或物(直径不小于10mm)有进入轿厢的运动趋势即反应。 Within 0.5m away from the landing door, when an object or person (diameter ≥ 10mm) has a movement tendency to enter the car, the light curtain can detect and output signal.
定时自检 Regular self-checking	每间隔30秒, 设备自检一次, 设备自检过程中, 不会影响电梯所有功能的正常使用; 当自检出故障时, 端口输出开门信号, 故障黄灯闪烁30秒之后, 开始进入设备自动修复模式。 The device checks itself every 30 seconds. During self-checking process, it will not affect the normal use of all functions of the elevator; when malfunction is detected, the port outputs the door opening signal, and after the malfunction indicator of yellow LED flashing for 30 seconds, the device starts to enter the automatic repair mode.
轿门倚靠提醒 Car door leaning warning	当门关闭时, 轿厢内如果有人或物移动靠近轿门, 距离轿门小于20mm时, 产品会播放语音进行提醒; (只针对移动检测)。 When the door is closed, if someone or something in the car moves close to the car door and the distance from the car door is less than 20mm, the device will play a voice warning. (Only for motion detection.)

要满足保护高度达到 1600mm, 轿厢高度及开门宽度的要求如下:  
To meet the protection height of 1600mm, the requirements for car height and door opening width are as below:

轿厢高度 Car height	2000mm	2100mm	2200mm	2300mm	2400mm	2500mm	2600mm	2700mm
开门宽度 Door opening width	≤ 800mm	≤ 1000mm	≤ 1200mm	≤ 1350mm	≤ 1550mm	≤ 1750mm	≤ 2000mm	≤ 2150mm



## 红外线电梯光幕 INFRARED ELEVATOR DOOR DETECTOR

### 连接电缆 CONNECTING CABLE

#### 连接电缆（有控制盒时） CONNECTING CABLE (WITH POWER BOX)

型号 Model	连接器规格 Connector Specification	接线方式 Connection Mode
Cable-08	直径Φ17mm Diameter Φ 17mm	
Cable-12	直径Φ12mm Diameter Φ 12mm	

- 电缆插头为防水插头，需保证可靠插接。  
They are waterproof cable plugs, make sure they are connected firmly and properly.
- 用于普通中分门电梯的光幕，标准配置为2根长度3.5m的连接电缆。  
For standard central opening doors, the door detector set contains 2 pieces of 3.5m cables.
- 用于旁开门电梯的光幕，标准配置为长度2.5m、4.5m的连接电缆各1根。  
For side opening doors, the door detector set contains 1 piece of 2.5m cable and 1 piece of 4.5m cable.
- 用于中分双折门电梯的光幕，标准配置2根长度为5m的连接电缆。  
For 4-panels-central-opening doors, the door detector set contains 2 pieces of 5m cables.

#### 连接电缆（无控制盒时） CONNECTING CABLE (WITHOUT POWER BOX)

晶体管输出类光幕用连接电缆 Connecting cables for transistor output type of door detectors

型号 Model	连接器规格 Connector Specification	接线方式 Connection Mode
Cable-NPN-B	直径Φ17mm Diameter Φ 17mm	
Cable-NPN-12	直径Φ12mm Diameter Φ 12mm	

输出 规格	DC+	PNP输出	绿: OUT	状态
	DC24E	DC24D	DC24C	
	输出高电平 Output:DC+	输出低电平 Output:DC-	输出低电平 Output:DC-	输出高电平 Output:DC+
	输出低电平 Output:DC-	输出高电平 Output:DC+	输出高电平 Output:DC+	输出低电平 Output:DC-

- 将发射器与接收器相同颜色的线连接在一起。  
Connect same color cables of transmitter and receiver together.
- 黄色的SYNC线为发射器与接收器之间的信号同步控制线，请将它们压接在轿顶接线排的一个空闲端子上。  
Yellow wires "SYNC" are for signal synchronization wires between TX and RX, they need to be connected together and pressed into a free terminal.
- 输出晶体管高低电平需要外部上拉或下拉最大负载驱动能力为: DC45V, 50mA。  
The transistor output Max. capacity: DC45V, 50mA.

继电器输出类光幕用连接电缆 Connecting cables for relay output type of door detectors

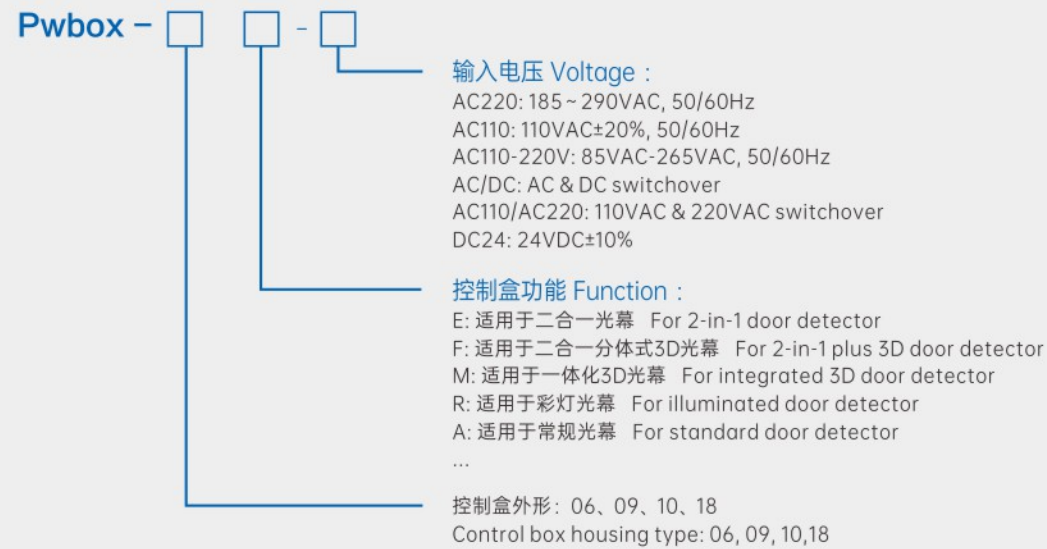
型号 Model	连接器规格 Connector Specification	接线方式 Connection Mode
Cable-10WEV-TX	直径Φ17mm Diameter Φ 17mm	
Cable-10WEV-RX	直径Φ17mm Diameter Φ 17mm	

1NO/1NC继电器输出 1NO/1NC relay output


# 红外线电梯光幕 INFRARED ELEVATOR DOOR DETECTOR

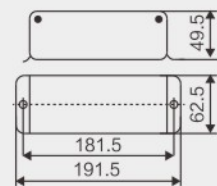
## 控制盒 CONTROL BOX

请根据现场供电电源及所需输出方式，选用合适的控制盒。  
Choose a suitable control box according to the power supply on site and output requirement.

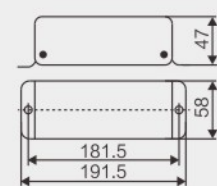


- 在直流供电控制盒中，内部工作电源与供电电源是不隔离的。  
DC control box, internal power is not isolated from external power supply.
- 控制盒使用环境温度为-20℃~+65℃，防护等级为IP31。  
Environment temperature: -20℃ ~+65℃. IP protection level: IP31.
- 控制盒符合CE电磁兼容性认证要求。  
All control boxes are CE EMC certified.

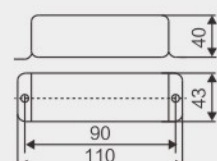
09型控制盒  
Model 09 control box



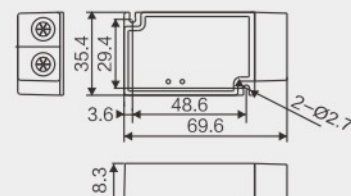
10型控制盒  
Model 10 control box



06型控制盒  
Model 06 control box



Pwbox-18A-AC控制盒  
Pwbox-18A-AC control box



型号 Model No.	适配电源及接线方法 Input voltage connection	输出方式 Output methods	用途 Application	通电工作时指示灯状态 LED status when powered on	蜂鸣器 Buzzer
Pwbox-09A6-AC220 Pwbox-10A3-AC220 Pwbox-09A6-AC110 Pwbox-10A3-AC110	185~290VAC 50/60Hz 110VAC±20% 50/60Hz	AC1 4 5 6 AC2 6	常规光幕 Standard door detector	红色: 状态指示 Red: Status indication 绿色: 电源指示 Green: Power indication	N/A
Pwbox-18A-AC Pwbox-09-AC110-220V	AC85-265V 50/60Hz				
Pwbox-09E-AC220 Pwbox-10E-AC220	185~290VAC 50/60Hz	AC1 4 5 6 AC2 6	二合一光幕 2-in-1 door detector	红色: 状态指示 Red: Status indication 绿色: 电源指示 Green: Power indication	参照使用手册利用4位拨码开关设定 4-bit dip switches functions see the user manual
Pwbox-09E-AC110 Pwbox-10E-AC110	110VAC±20% 50/60Hz				
Pwbox-06-DC24	24VDC±20%	DC- 1 2 3 DC+ 3	常规光幕 Standard door detector	红色: 状态指示 Red: Status indication 绿色: 电源指示 Green: Power indication	N/A
Pwbox-06E-DC24			二合一光幕 2-in-1 door detector	红色: 状态指示 Red: Status indication 绿色: 电源指示 Green: Power indication	
Pwbox-09G-AC220 Pwbox-10G-AC220 Pwbox-09G-AC110 Pwbox-10G-AC110	185~290VAC 50/60Hz 110VAC±20% 50/60Hz	AC1 4 5 6 AC2 6	987系列光幕 WECO-987 series door detector	红色: 状态指示 Red: Status indication 绿色: 电源指示 Green: Power indication	参照使用手册利用2位拨码开关设定 2-bit dip switches functions see the user manual
Pwbox-09G-DC24	24VDC±20%	DC+ 4 5 6 DC- 6		7,8故障信号输出 7,8 Output fault signal 9,10关门信号输入(闭合有效) 9,10 Input close signal ( NC effective )	
Pwbox-10A8-AC220 Pwbox-10A8-AC110	185~290VAC 50/60Hz 110VAC±20% 50/60Hz	AC1 4 5 6 AC2 6	常规光幕 Standard door detector	红色: 状态指示 Red: Status indication 绿色: 电源指示 Green: Power indication	N/A